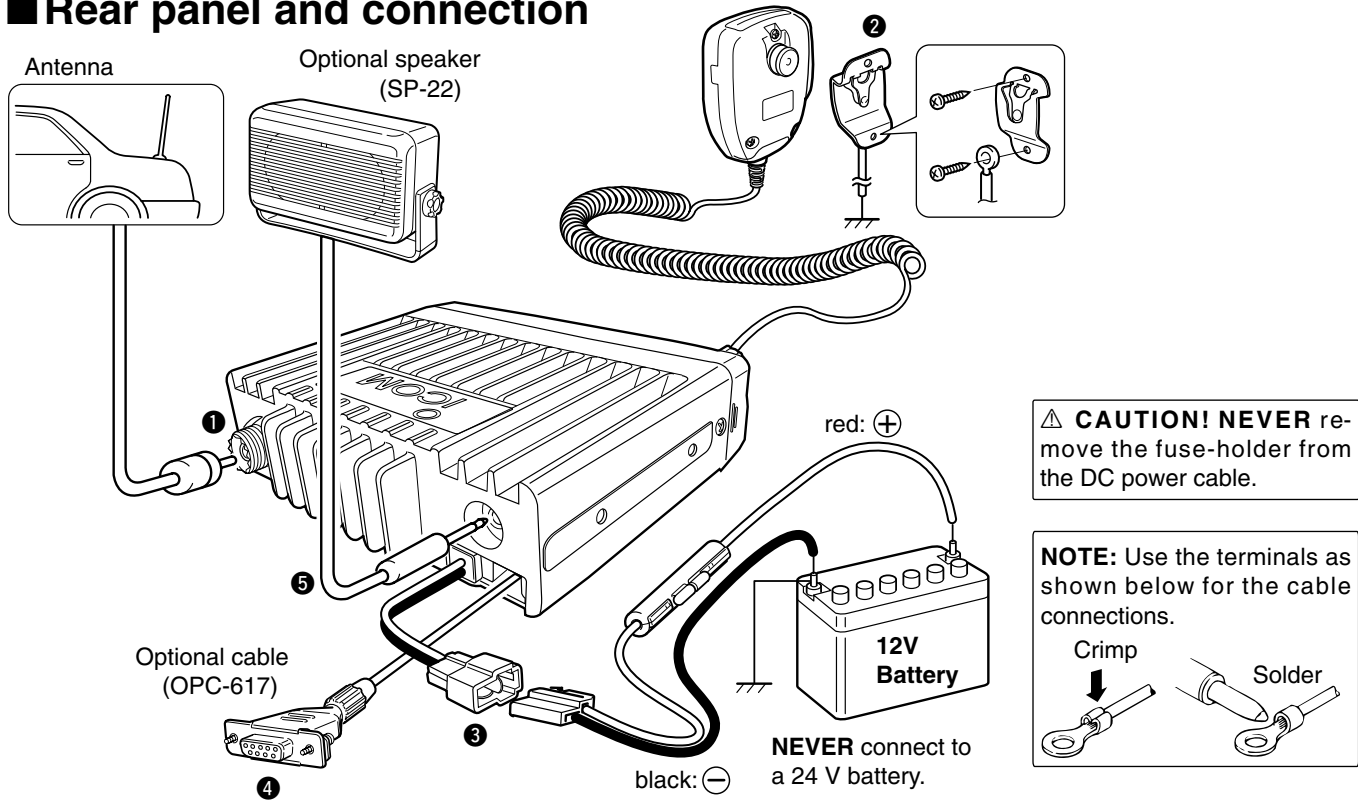


## ■ Rear panel and connection



**1 ANTENNA CONNECTOR**

Connects to an antenna. Contact your dealer about antenna selection and placement.

**2 MICROPHONE HANGER**

Connect the supplied microphone hanger to the vehicle's ground for microphone on/off hook functions. (See p. 2)

**3 DC POWER RECEPTACLE**

Connects to a **12 V DC** battery. Pay attention to polarities. **NEVER** connect to a **24 V** battery. This could damage the transceiver.

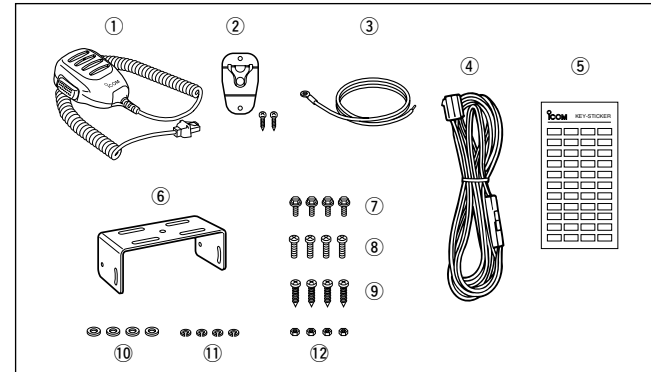
**4 OPTIONAL CABLE (OPC-617)**

Connect an external modem unit, dimmer control, etc.

**5 EXTERNAL SPEAKER JACK**

Connect a 4–8 Ω external speaker, if desired.

**Supplied Accessories**



- |   |       |                                     |   |
|---|-------|-------------------------------------|---|
| ① Microphone .....                            | 1     | ⑥ Mounting bracket .....            | 1 |
| ② Microphone hanger and screw set .....       | 1 set | ⑦ Bracket bolts .....               | 4 |
| ③ Microphone hanger cable .                   | 1     | ⑧ Mounting screws (M5×12) .         | 4 |
| ④ DC power cable (OPC-1194) .....             | 1     | ⑨ Self-tapping screws (M5×20) ..... | 4 |
| ⑤ Function name stickers* (KEY STICKER) ..... | 1     | ⑩ Flat washers .....                | 4 |
|   |       | ⑪ Spring washers .....              | 4 |
|   |       | ⑫ Nuts .....                        | 4 |

**\*Function name stickers**

There are no names on the programmable function keys since the functions can be freely assigned to these keys.

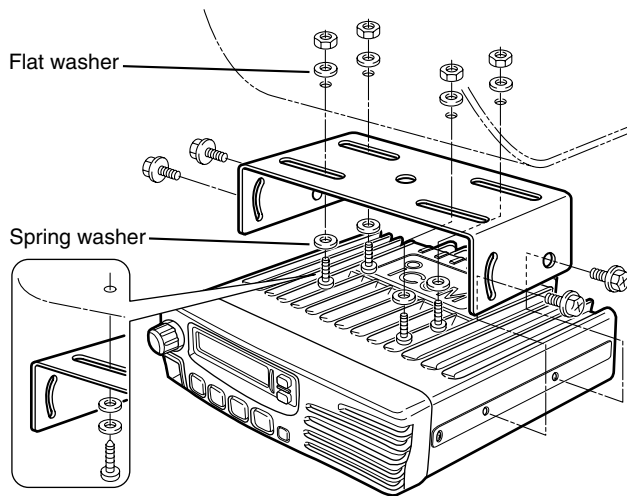
Attach the supplied function name stickers above the appropriate keys for easy recognition of that key's assigned function.

## 4 CONNECTION AND MAINTENANCE

### ■ Mounting the transceiver

The universal mounting bracket supplied with your transceiver allows overhead mounting.

- Mount the transceiver securely with the 4 supplied screws to a thick surface which can support more than 1.5 kg.

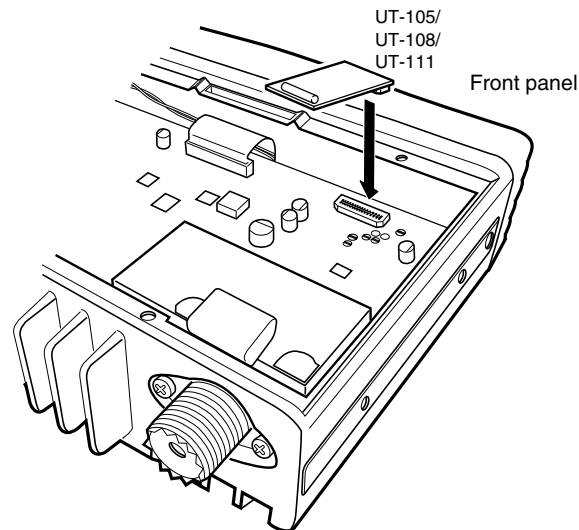


When using self-tapping screws

### ■ Optional UT-105, UT-108 or UT-111 installation

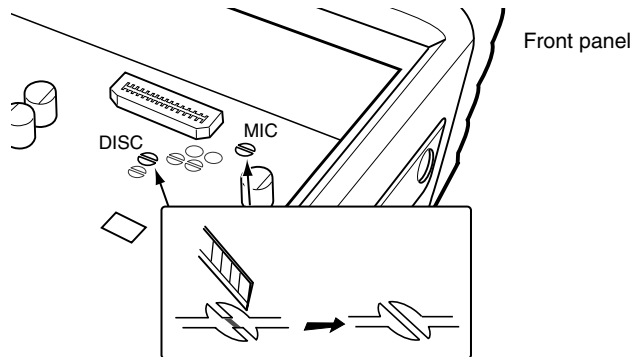
Install the optional UT-105, UT-108 or UT-111 unit as follows:

- ① Turn the power OFF, then disconnect the DC power cable.
- ② Unscrew the 4 cover screws, then remove the bottom cover.
- ③ Install the unit as shown in the diagram below.
- ④ Replace the bottom cover and screws, then re-connect the DC power cable.

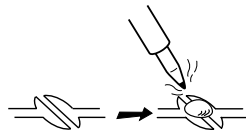


## Optional UT-109 or UT-110 installation

- ① Turn the power OFF, then disconnect the DC power cable.
- ② Unscrew the 4 cover screws, then remove the bottom cover.
- ③ Cut the pattern on the PCB at the TX mic circuit (MIC) and RX AF circuit (DISC) as shown below.
- ④ Install the scrambler unit as described in the installation of optional UT-105, UT-108 or UT-111 as on the page at left.
- ⑤ Replace the bottom cover and screws.

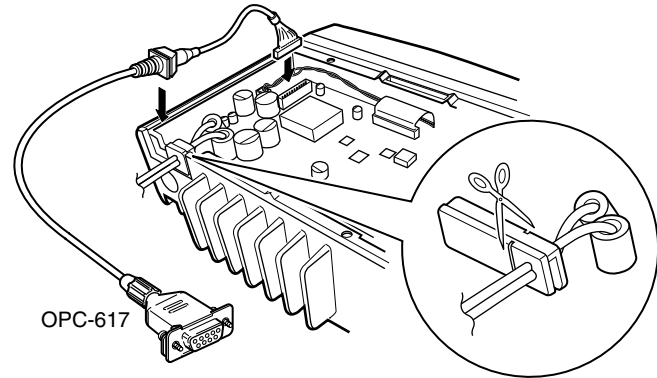


**NOTE:** Be sure to re-solder the above disconnected points when you remove the scrambler units. Otherwise no TX modulation or AF output is available.



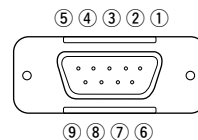
## Optional OPC-617 installation

Install the OPC-617 as shown below.



Cut off the bushing as in the illustration, when you install the optional OPC-617.

### OPTIONAL CABLE PIN ASSIGNMENT



- |                                     |                        |
|-------------------------------------|------------------------|
| ① Dimmer cont. IN or IGSW cont. IN  | ⑥ Horn drive cont. OUT |
| ② AF OUT                            | ⑦ AF GND               |
| ③ Det. AF OUT                       | ⑧ Det. AF GND          |
| ④ Mod. IN                           | ⑨ Mod. GND             |
| ⑤ PTT control IN or FTSW control IN |                        |

---

## 4 CONNECTION AND MAINTENANCE

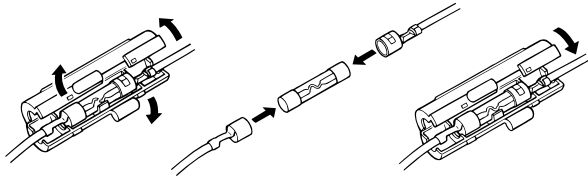
### ■ Antenna

A key element in the performance of any communication system is an antenna. Contact your dealer about antennas and the best places to mount them.

### ■ Fuse replacement

A fuse is installed in the supplied DC power cable. If a fuse blows or the transceiver stops functioning, track down the source of the problem if possible, and replace the damaged fuse with a new rated one.

□ Fuse rating: 10 A



### ■ Cleaning

If the transceiver becomes dusty or dirty, wipe it clean with a soft, dry cloth.



**AVOID** the use of solvents such as benzene or alcohol, as they may damage the transceiver surfaces.