

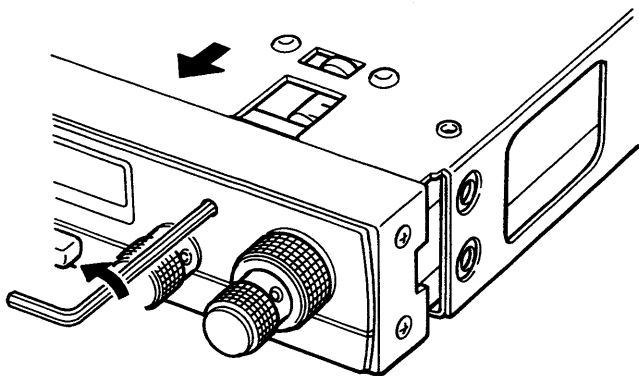
5

REMOVAL AND INSTALLATION

■ Transceiver removal

The IC-A200 is easily removed from the mounting rack, if required.

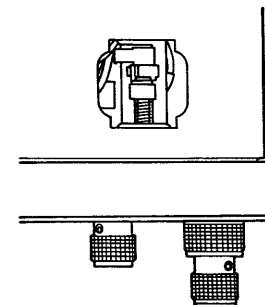
- 1) Insert a 3/32 in allen wrench into the hole in the front panel.
- 2) Rotate the wrench counterclockwise until the front panel moves slightly from the mounting rack.



- 3) Slowly pull the transceiver out from the mounting rack.

■ Transceiver installation

- 1) Visually confirm that the metal catch on the top of the transceiver is as shown below.



- 2) Slowly insert the transceiver into the mounting rack.
- 3) Insert a 3/32 in allen wrench into the hole in the front panel.
- 4) Rotate the wrench clockwise until the screw stops.
 - **DO NOT** overtighten the screw.

